

W12L100-GSB1

12.3" G-WIN GS Series Display



KEY FEATURES

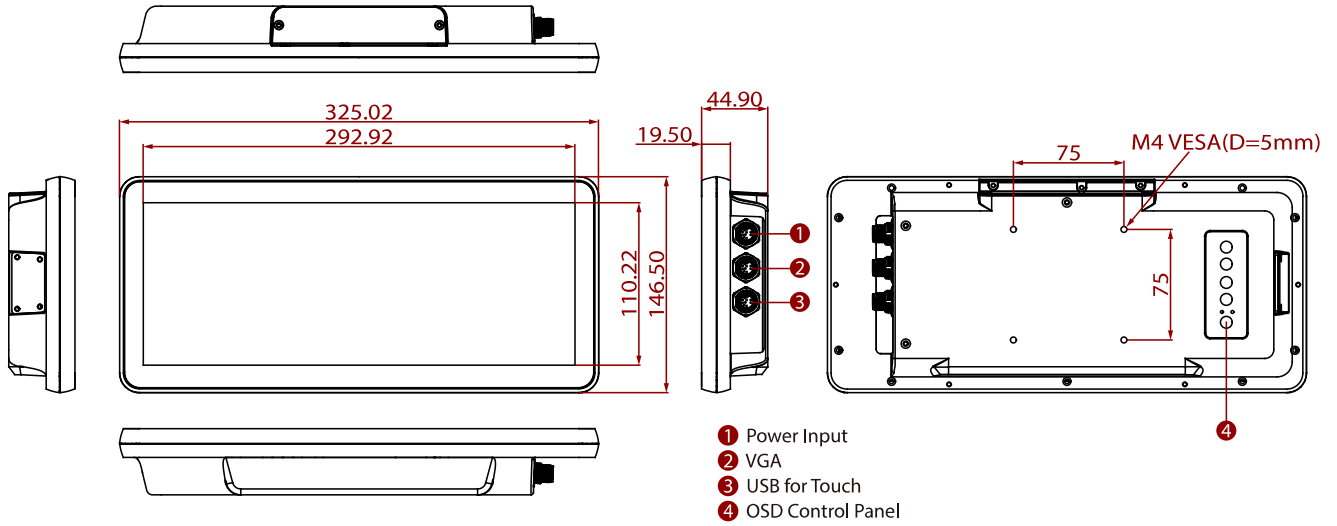
- 12.3" 1920 x 720 panel
- Projected Capacitive Multi-Touch (PCAP)
- Full IP65 Water and Dust Proof
- VGA input and USB port for touch
- M12 Type Connectors
- Compliant with MIL-STD-810F/G for Shock / Vibration



SPECIFICATIONS

Display			
Resolution	1920x720	Size	12.3 inches
Contrast Ratio	1000:1	Panel Brightness	1000.0 nits
Display Color	16.7M Colors	View Angles	88,88,88,88
Type	Projected Capacitive Multi Touch		
Environment			
Operating Humidity	10% to 95% RH	Operating Temperature	-15~55°C
Storage Temperature	-30°C to 60°C	Shock	40g for 11ms
Vibration	1.48/1.90/2.24 g rms for XYZ/ 5-500Hz	IP rating	IP65, Dustproof and Waterproof
Certification			
Certification	CE, FCC Compliant with MIL-STD-810F/G for vibration / shock		
IO Ports			
USB Port	1 x USB for Touch Screen	Video	1 x VGA
Mechanical			
Dimension	325.02 x 146.5 x 44.9 mm	Mounting	VESA Mount/ Panel Mount
Enclosure	Metal Housing with Aluminum Bezel	Cooling System	Fanless Design
Accessory			
Accessory	Quick Start Guide(Hardcopy) AC Adapter(For 7" Display only) M12 Power Cable(Not Supplied with 7" Display) VGA Cable USB for Touch Cable I/O Protective Cap x 3		
Power			
Power Rating	9-36V DC (M12 type)		
Control			
Button	5 Keys: -, +, Power, Esc, Enter		

DIMENSIONS UNIT:MM



NOTE

- 1.This is a simplified drawing and some components are not marked in detail.
- 2.Please contact our sales representative if you need further product information.
- 3.All specifications are subject to change without prior notice.
- 4.The product shown in this datasheet is a standard model.For diagrams that contain customized or optional I/ O, please contact the Winmate Sales Team for more information.