

W12IM3S-GCB1

12.3" ARM A53 G-WIN GC-Series Front IP65 PCAP Panel PC



KEY FEATURES

- 12.3" 1920 x 720 panel with projected capacitive multitouch screen
- ARM A53 Quad Core 2.0GHz CPU
- Front IP65 for protection against water and dust
- A true flat, easytoclean front surface with edgetoedge design
- Support Android or Linux operating system



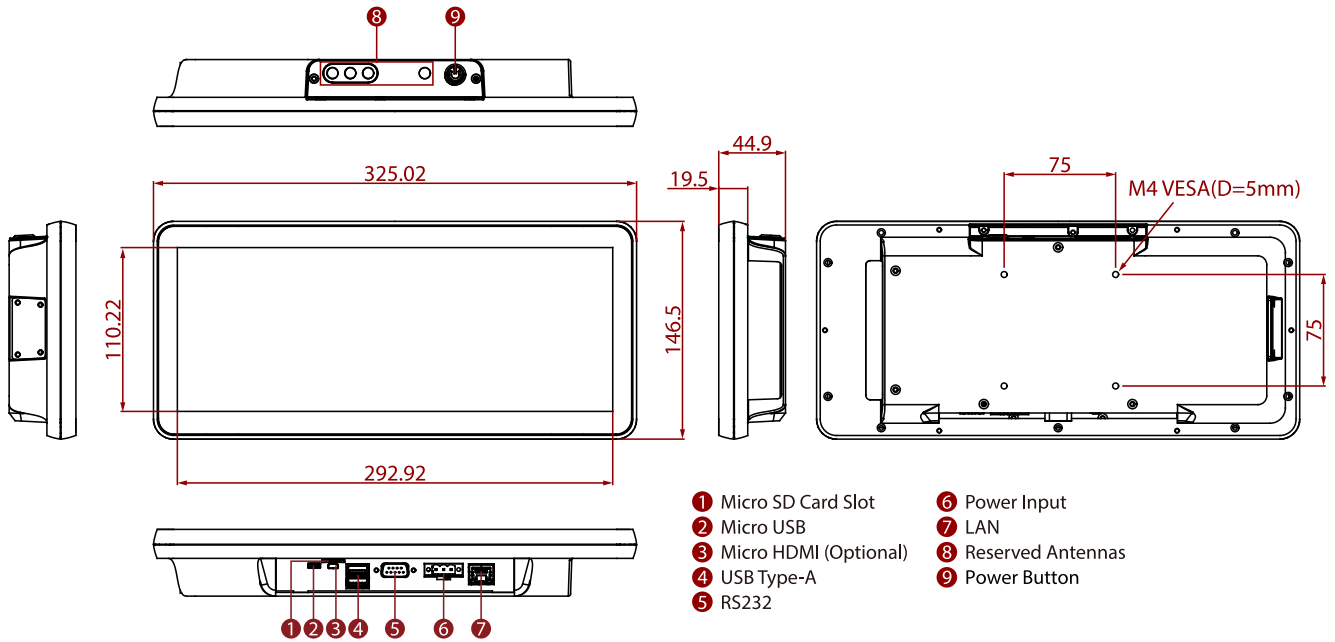
SPECIFICATIONS

Display			
Touch / Glass	Projected Capacitive Multi Touch Screen	Resolution	1920x720
Size	12.3 inches	Contrast Ratio	1000:1
Panel Brightness	1000.0 nits	View Angles	88,88,88,88
Active Area	292.92x110.22 mm		
System Specification			
Processor	ARM A53 (Quad Core 2.0GHz)	Memory	4GB LPDDR4
Storage	eMMC: Onboard 32 GB	Operating System	Android 11 (Upgradeable to Android 13) Linux Yocto 5.10.104 with QT 5.15 (Optional) Linux Ubuntu Server 22.04 (Optional)
WLAN	Support (Optional)	BT	Support (Optional)
Mechanical			
Dimension	325.02 x 146.5 x 45 mm	Mounting	VESA Mount
Cooling System	Fanless Design		
IO Ports			
USB Port	2 x USB 2.0 Type A 1 x Micro USB 2.0 OTG	Serial Port	1 x RS232/422/485 (Default RS232)
SD Card Slot	1 x Micro SD card slot (Max to 32GB)	Video	1 x Micro HDMI Output (Optional)
Audio	2 x Speaker (Optional)	LAN	1 x LAN 10/100/1000 Mbps
Environment			
Operating Humidity	10% to 90% RH, Non-Condensing	Operating Temperature	0°C to 50°C
Storage Temperature	-20°C to 60°C	Shock	MIL-STD-810G Method 516.6 Procedure I
Vibration	MIL-STD-810G Method 514.6 Procedure I	IP rating	Front IP65
Certification			
Certification	CE, FCC		
Control			
Button	1 x Power Button (Optional)		
Power			
Power Rating	12V DC with Terminal Block	Adapter	12V 50W

Accessory

Accessory	Quick Start Guide(Hardcopy) AC Adapter 12V/50W Power Cord 3 Pin Terminal Block to DC Jack
-----------	--

DIMENSIONS UNIT:MM



NOTE

- 1.This is a simplified drawing and some components are not marked in detail.
- 2.Please contact our sales representative if you need further product information.
- 3.All specifications are subject to change without prior notice.
- 4.The product shown in this datasheet is a standard model.For diagrams that contain customized or optional I/ O, please contact the Winmate Sales Team for more information.