

# W12IE3S-GCB1

## 12.3" Intel® Celeron® N6211 GC-Series Front IP65 PCAP Panel PC



### KEY FEATURES

- 12.3" 1920 x 720 panel with projected capacitive multitouch screen
- Low power consumption with Intel® Celeron® Elkhart Lake N6211 processor
- Fanless cooling system and ultra-low power consumption
- Front IP65 for protection against water and dust
- A true flat, easy-to-clean front surface with edge-to-edge design



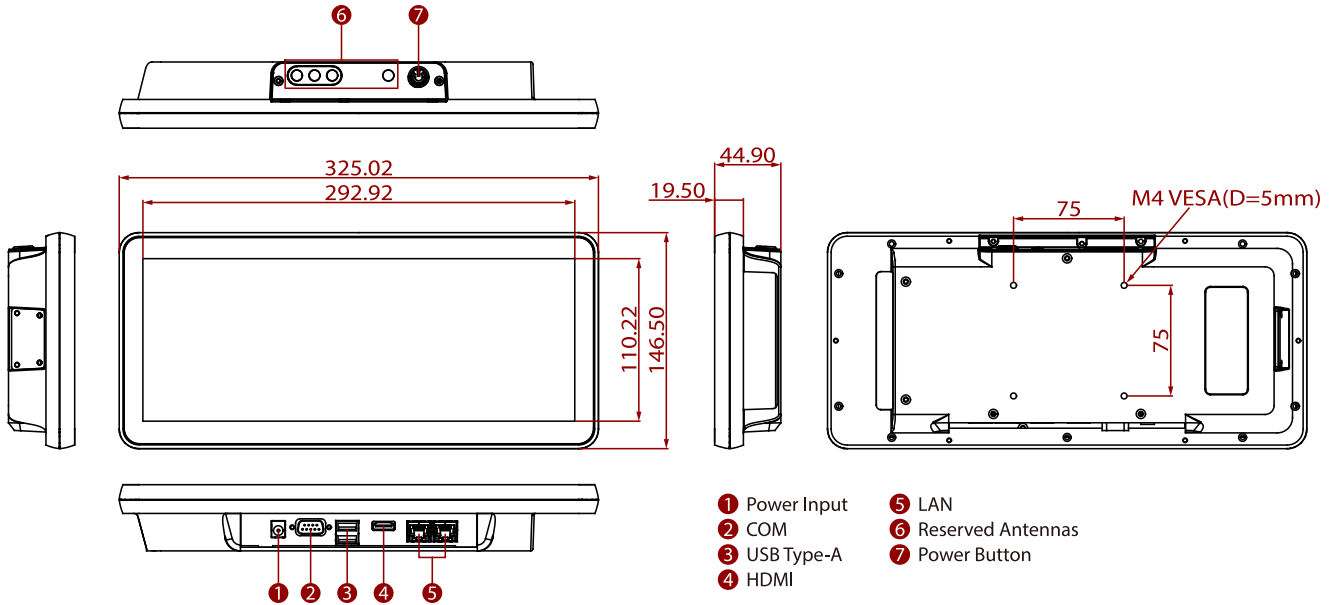
### SPECIFICATIONS

Display			
<b>Resolution</b>	1920x720	<b>Size</b>	12.3 inches
<b>Contrast Ratio</b>	1000:1	<b>Panel Brightness</b>	1000.0 nits
<b>View Angles</b>	88,88,88,88	<b>Type</b>	Projected Capacitive Multi Touch
System Specification			
<b>Processor</b>	Intel® Celeron® N6211 ( up to 3.0GHz) Intel® Celeron® N6210 (up to 2.6GHz) (Optional)	<b>Memory</b>	1 x SO-DIMM, DDR4 3200 MHz, 4GB 8GB (Optional) 16GB (Optional)
<b>Storage</b>	1 x M.2 2242 B-key SSD 128GB M.2 2242 B-key SSD up to 512GB (Optional) 1 x SATA III for 2.5" SSD/HDD up to 1TB (Optional)	<b>Ethernet controller</b>	2 x Intel® Ethernet Controller
<b>Security</b>	TPM 2.0	<b>Operating System</b>	Windows 11 IoT Enterprise (64 bit) (Optional) Windows 11 Pro 64 bit (Optional) Windows 10 IoT Enterprise (64 bit) (Optional) Linux Ubuntu 22.04 (Optional)
Environment			
<b>Operating Humidity</b>	10% to 90% (Non-Condensing)	<b>Operating Temperature</b>	0~50°C
<b>Storage Temperature</b>	-20°C~60°C	<b>Shock</b>	MIL-STD-810G Method 516.6
<b>Vibration</b>	MIL-STD-810G Method 514.6	<b>IP rating</b>	Front IP65
Certification			
<b>Certification</b>	CE, FCC		
IO Ports			
<b>USB Port</b>	1 x USB2.0 1 x USB3.0	<b>Serial Port</b>	1 x RS232(Default)/422/485
<b>Video</b>	1 x HDMI (Optional)	<b>Audio</b>	1 x Speaker
<b>LAN</b>	2 x RJ45		
Mechanical			
<b>Dimension</b>	325.02 x 146.5 x 44.9 mm	<b>Mounting</b>	VESA Mount/ Panel Mount
<b>Enclosure</b>	Plastic Bezel & Aluminum back cover	<b>Cooling System</b>	Fanless Design
Accessory			
<b>Accessory</b>	Quick Start Guide(Hardcopy)		

AC Adapter  
Power Cable

<b>Power</b>	
<b>Power Rating</b>	12V DC in
<b>Control</b>	
<b>Button</b>	1 x Power Button 1 x Reset Button

## DIMENSIONS UNIT:MM



## NOTE

- 1.This is a simplified drawing and some components are not marked in detail.
- 2.Please contact our sales representative if you need further product information.
- 3.All specifications are subject to change without prior notice.
- 4.The product shown in this datasheet is a standard model.For diagrams that contain customized or optional I/ O, please contact the Winmate Sales Team for more information.