

MERISC-STM32MP2

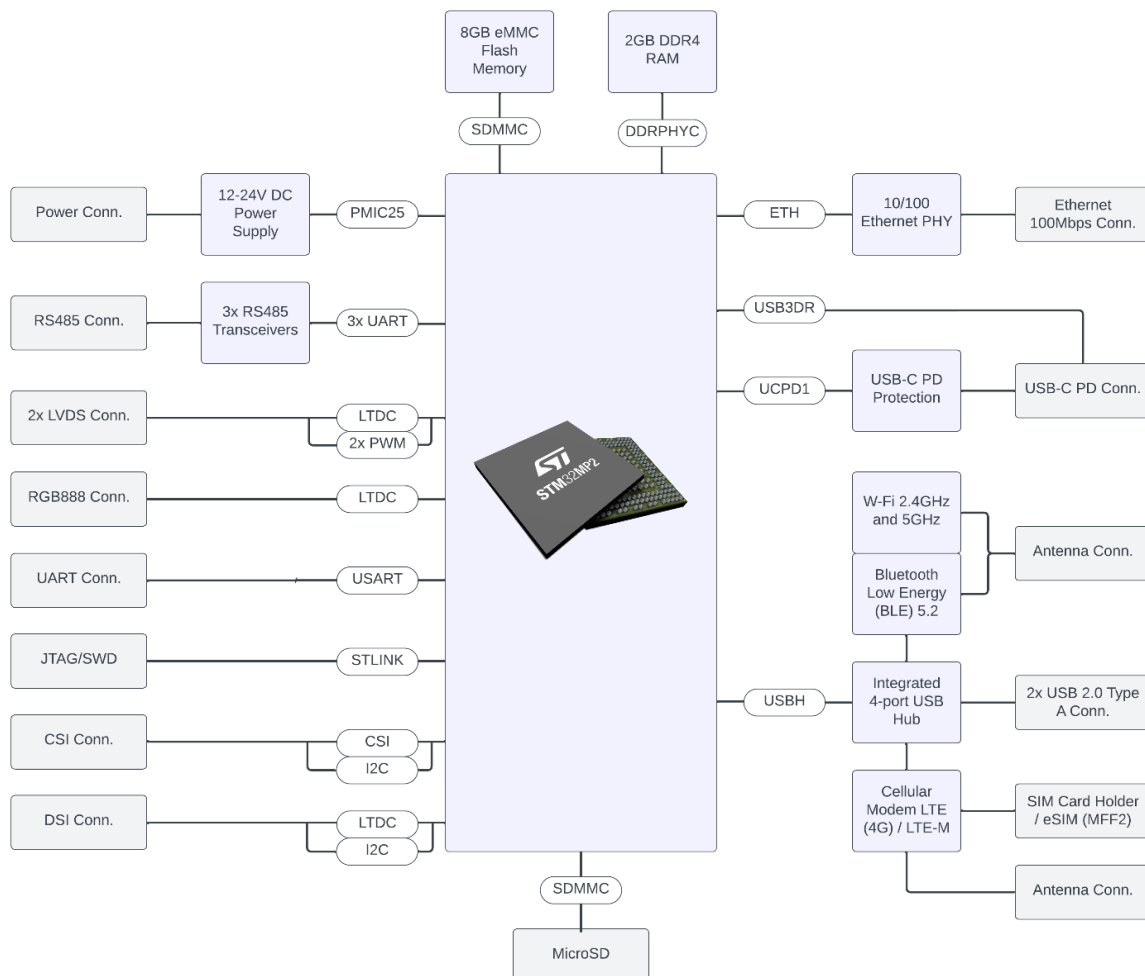


Industrial ODM platform for customized solutions

Based on the new STM32MP2 microprocessor family from ST Micro, this industrial platform carry strong security features and enables ai capabilities for next generation of advanced, connected solutions with multimedia ambitions. As a Martinsson operated platform it offers not only fast time-to-market, but a long term and carefree solution.

- 64-bit Arm Cortex-A35 up to 1,5 GHz (6,000 DMIPS)
- Neural processing unit up to 1,35 TFLOPS
- 1080p graphics capabilities (3D GPU & H.264 codec)
- Cellular, Wifi and Bluetooth radio
- Strong ecosystem and Software tools (Yocto/OpenSTLinux, STM32 Cube etc.)

- ✓ Fast time-to-market
- ✓ Ai capabilities
- ✓ Extensive Connectivity
- ✓ Solid Graphics ability
- ✓ Carefree PLM
- ✓ Long Availability



Processor

STM32MP2 series with Dual-core Arm Cortex-A35 up to 1.5GHz + single Arm Cortex-M33 up to 400MHz. NPU up to 1,35 TOPS and 3D GPU with H.264 HW video codec.

Memory

2GB DDR4 RAM
8GB eMMC Flash

Communication

Wifi: 802.11 b/g/n/ac/ax
Bluetooth: BLE 5.2
Cellular: LTE Cat M1 (eSIM/SIM)
Ethernet: 10/100Mbit/s or 1Gbit/s
Serial: USB2.0 and RS485
Other: UART, MIPI CSI-2

Power

9-32 VDC Input voltage
Power consumption is application dependent
Self-resettable power fuse

Display support

Interface: Dual LVDS, 24 bit RGB, MIPI DSI
Touch: Any type
Resolution: Up to 2048x1536 @60fps (LVDS/MIPI)

Software

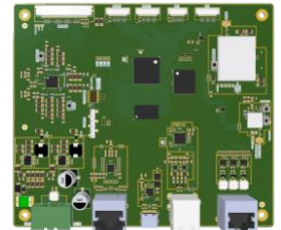
BSP with Yocto Linux

Environmental

Designed for industrial grade. Changes possible depending on requirements.

Evaluation kit

Available with 3,5", 5,0", 7,0" or 10,1" touchdisplay as reference design for customized solutions. Other displays on request.
Dimensions: 140x120 mm.



 <p>Edge computing</p> <p>1.35TOPS NPU</p>	 <p>Advanced multimedia</p> <p>3D GPU, H.264 MIPI DSI, LVDS MIPI CSI-2 w/ ISP</p>	 <p>Carefree Solution</p> 	 <p>Certified security</p> 	 <p>Strong ecosystem</p>  
--	---	---	---	--



Martinsson E-CORE is an ecosystem of platforms and functions that can be used in many different applications. Find out more about our Business Model and our E-CORE.



© Martinsson Elektronik reserve the right to make changes to the product(s) or information contained herein without notice.