

NEW



Intuitive Human-Machine-Interface

582 Display Encoder



Display Encoder

An intuitive and robust Human-Machine-Interface (HMI). High quality Rotary Encoder combined with a clear and bright display makes a very userfriendly way to operate your device. Interaction by turning and pushing is long proven technology. With an integrated display the user receives not only mechanical feedback, but also visual. The intuitive handling makes no further explanation necessary.

As a magnetic 2-bit incremental rotary encoder, the model 582 is available with different operating forces for the turn and push function. A selection of different displays and options, such as indirect ring lighting, allow you to design an attractive solution for your application. Furthermore, modern interfaces such as RFID, WiFi or Bluetooth are available. Due to the robust and sealed (up to IP67) mechanical design, the Display-Encoder allows use in heavy industrial environment.

- Magnetic 2-bit encoder
- 1,28" or 2,1" display
- 32 positions
- Push-Function
- USB C interface
- IP67 or IP63

Optional:

- Bluetooth/WiFi
- Indirect illumination (Corona-Effekt)

Need a unique twist ?

The operation ring can be adjusted to your needs; material, shape and colour.

Also various torques and two-stage push function can be implemented.

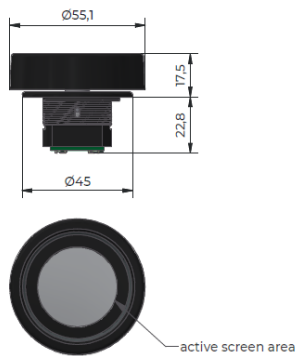
582 Display Encoder

1,28" Display

Resolution: 240x240

Brightness: 400 cd/m²

Active area: 32,4 mm Ø



Encoder

Rotational life: 1.000.000 rotations

Torque / Positions : 3 Ncm / 32

Signal interpretation: Incremental

Push button switch

Push life: 500.000 cycles

Push force: 6 N

Micro Controller

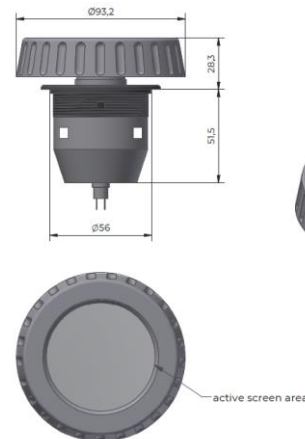
ESP32-S3R8

2,1" Display

Resolution: 480x480

Brightness: 500 cd/m²

Active area: 53,28 mm Ø



Interface

USB C

Environmental

IP 63 or IP67 sealing

-20 - +70C Operating temp

-30 - +80C Storage temp

Electrical

Max 5V DC operating voltage

Max 150 mA operating current