

TEP-1560-IMX6



- The TEP-0700-IMX7 is a low-power consumption HMI based on an NXP i.MX7 Dual core Cortex-A7™ + M4™ processor.
- The TEP-0700-IMX7 features a 7-inch widescreen ratio multitouch PCAP touch screen with LED backlight and brushed aluminum front bezel.
- Edge-computing ready with internal mini-PCIe expansion + SIM card slot for LTE/5G cloud connectivity.
- 2 RS-232, 2 CAN, 8 GPIO, 2 Gigabit Ethernet and USB interfaces.
- Orderable with single voltage 12VDC, wide voltage 9 - 36VDC or 802.3at PoE (power over ethernet) options.
- Linux, Yocto, Android runtime images and full source code available.

Specifications



Core System

Processor	NXP i.MX6 Solo NXP i.MX6 DualLite NXP i.MX6 Quad
Architecture	ARM Cortex-A9
PMIC	NXP MMPF0100
Memory	Up to 2GB DDR3
Storage	eMMC (4GB Default)

Connectivity

Network LAN	1x Atheros AR8035 Gigabit LAN
Power over Ethernet	PoE function 802.3at (optional)

Expansion Interfaces

Expansion Slots	2x M.2 slot 2x mini-PCIe with SIM Card slot
-----------------	--

Display

LCD	15.6 inch widescreen LCD with LED backlight
Resolution	1366 x 768 pixels
Luminance	300 cd/m ²
Maximum Colors	16.7 million
Touchscreen	Projective Capacitive (multitouch)

Operation Systems

Standard Support	Linux Yocto
Extended Support	Commercial Linux

Video

Video Decode	1080p30 + D1 (Solo/DualLite) 1080p60 H.264 (Quad)
Video Encode	1080p30 H.264 BP/Dual 720p

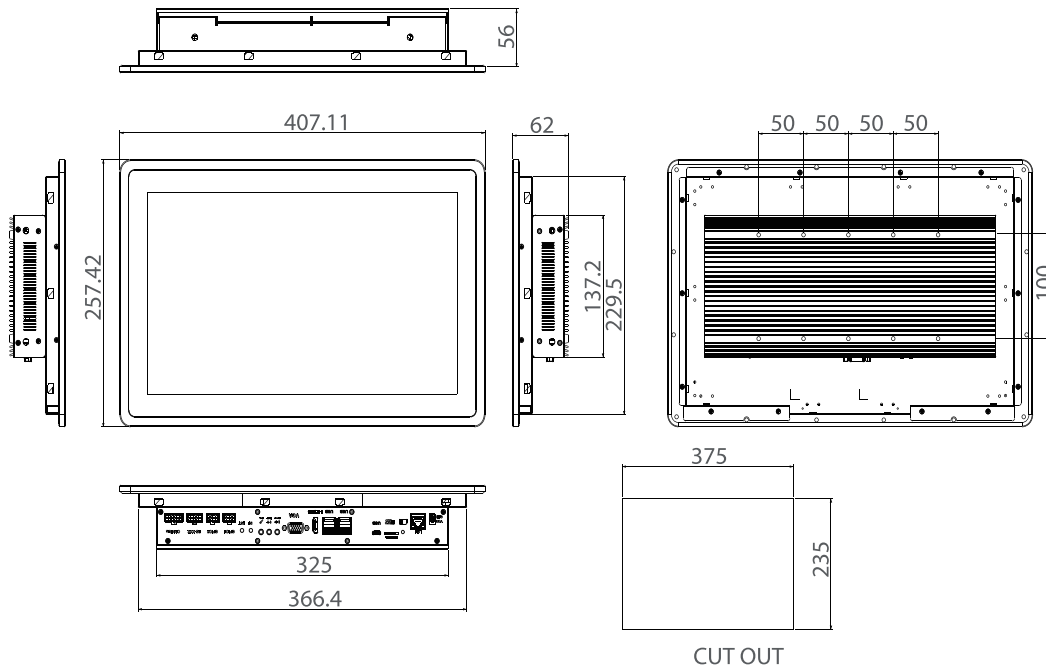
Audio

Audio Codec	NXP SGTL5000
Internal Speaker	2x 2W/8Ω Stereo Speaker (optional)

External Connectors

External Display	1x HDMI 1x VGA 15-pin D-SUB
Audio Connectors	1x 3.5mm jack Microphone 1x 3.5mm jack Stereo Audio in 1x 3.5mm jack Stereo Audio out
Network	1x RJ45
USB	1x USB 2.0 OTG (Type-C) 4x USB 2.0 Host
CAN Bus	2x Flex CAN version 2.0B compliant
Serial	2x RS-232
GPIO	8x GPIO
Buttons	1x Boot Select 1x Reset
Indicators	1x Programmable LED
SIM Cardslot	1x Micro-SIM /1x Mini-SIM Card slot
SD Cardslot	1x MicroSD Card slot

Dimensions (units in mm)



Environmental and Mechanical

Enclosure Material	Metal
Front Bezel	Brushed Anodized Aluminium
IP Rating	IP65 Front
Dimensions	407 (W) x 257 (H) x 62 (D) mm
Weight	4000 grams
Temperature	Commercial: 0° to +50°C
Relative Humidity	10 to 90 %
MTBF	50 000 Hours
Shock	15G half-sine 11 ms duration
Vibration	1 Grms random 5-500Hz hr/axis
Certification	Compliant with CE / FCC / RoHS / REACH directives

Modular Expansion Options

Power Expansion Module	TXR-P1-12V-LAN1 (12V 3A) TXR-P1-1030V-LAN1 (9-36V 5A) TXR-P1-12V-POE1 (12V 3A) or (PoE 802.3at)
------------------------	---

I/O Expansion Module

Mounting Options

Rear Mounting	14 mounting clips required (included)
VESA Mounting	100*100 VESA MIS-D Standard (separate purchase)
Surface Mounting	16 mounting holes

Power Specifications

Power Input	Available with 12V 9-36V (wide power input)
Power over Ethernet	PoE function 802.3at (optional)
Power Connector	2-pin Micro-Fit 3.0
Power Consumption	Depending on Configuration

Order Information

TEP1560-IMX6x-Rxx-Exx-Lxxx-Xxxx-xxx-xxxx-xxxx

	Code	Description
Processor	IMX6S	NXP i.MX6 Solo
	IMX6U	NXP i.MX6 DualLite
	IMX6Q	NXP i.MX6 Quad
Memory	R05	512MB DDR3L
	R10	1GB DDR3L
	R20	2GB DDR3L
Storage	E04	eMMC capacity E04 = 4GB / E16 = 16GB / E32 = 32GB / E64 = 64GB
	L112	TXB-P1-12V-LAN1 (12V 3A)
	L130	TXB-P1-1030V-LAN1 (9-36V 5A)
	LPOE	TXB-P1-12V-POE1 (12V 3A) or (PoE 802.3at)
I/O Expansion	-	-
	XS20	2x RS-232 + 2x CAN + 8x GPIO
Custom ID	XG20	2x RS-232 + 2x CAN + 8x GPIO (Galvanic Isolated)
	XXXX	Custom Part number ID for customized Software loader and special component (BOM)