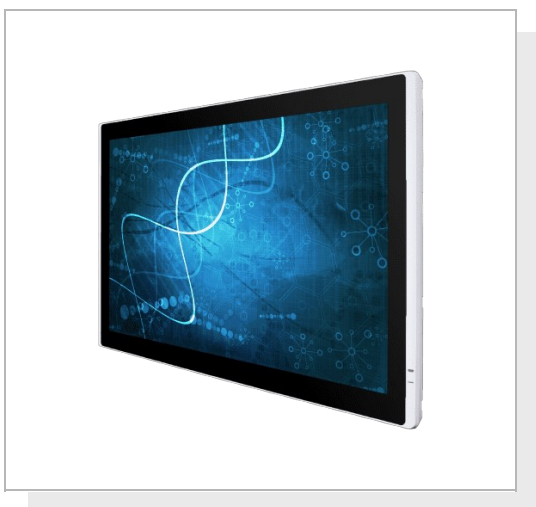


W32L100-PTA1-SDI

32" SDI Multi-Touch Color Surgical Display



KEY FEATURES

- 32" Display with 4K UHD (3840 x 2160) native resolution
- Projected Capacitive Touch
- Bottom side keys x 5
- Fanless and Ventless design, Easy-to-Clean
- Support 12G-SDI , HDMI (Optional) , DP variety signal input
- Front IP65



SPECIFICATIONS

Display			
Resolution	3840x2160	Size	32 inches
Contrast Ratio	1000:1	Panel Brightness	350 nits
Display Color	1.07B Colors	View Angles	89,89,89,89
Active Area	708.48 x 398.52 mm	Touch / Glass	Projected Capacitive Multi Touch Screen
Environment			
Operating Humidity	10% to 90% RH, non-condensing	Operating Temperature	0°C to 35°C
Storage Temperature	-20 °C to 60 °C		
Certification			
Certification	CE, FCC		
Compliance			
Compliance	IEC 60601-1:2005 + A1:2012 (Ed. 3.1) IEC 60601-1-6:2010 + A1:2013 (Ed. 3.1) IEC 62366:2007 + A1:2014 (Ed. 1.1) ANSI/AAMI ES60601-1:2005/A1:2012 and C1:2009/(R)2012 and A2:2010/(R)2012 CAN/CSA-C22.2 No.60601-1:14 EN 60601-1-2:2015, IEC 60601-1-2:2014 (Ed. 4.0) EN 55032/EN 55024, FCC part 15B EN 62368-1:2014 RoHS-2, REACH, WEEE compliant		
IO Ports			
USB Port	1 x USB for Touch Screen	Serial Port	1 x RS232 (Optional)
Video	1 x 12G-SDI In 1 x 12G-SDI Loop Out 1 x Display Port 1.2 1 x HDMI 1.4 (Optional) 1 x HDMI 2.0 (Optional)	Audio	2 x Speaker
Mechanical			
Dimension	799 x 478 x 63.7 mm	Mounting	VESA Mount
Enclosure	Plastic	Cooling System	Fanless Design
Accessory			

Accessory

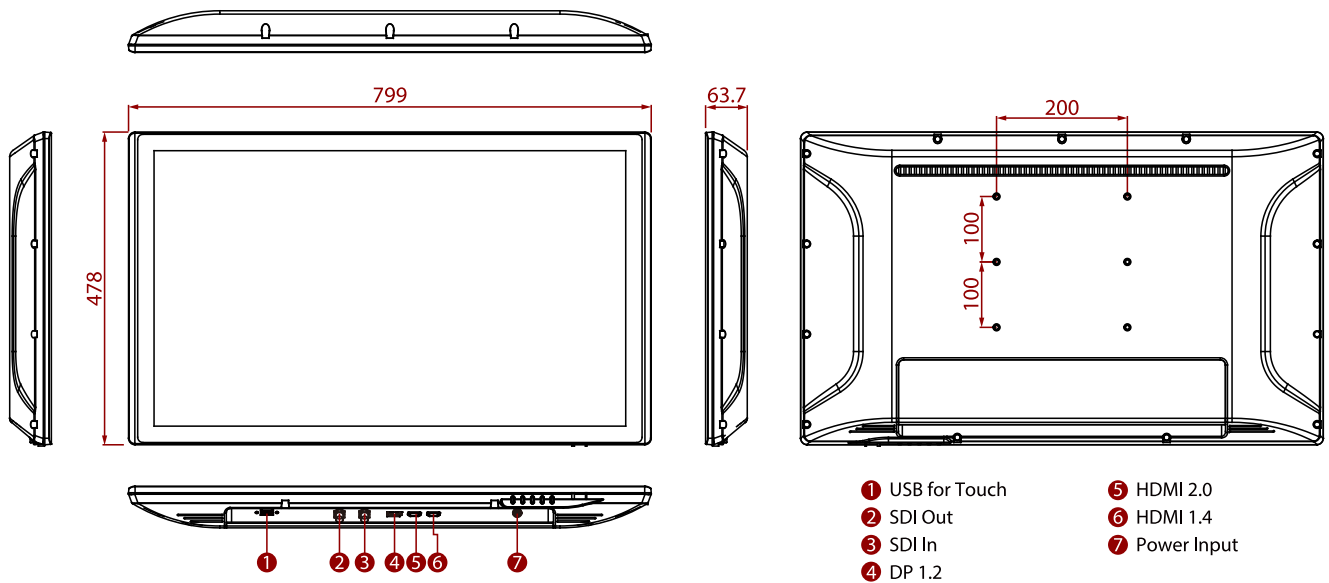
User Manual (Hardcopy)
 110~240V AC Power Adapter
 Power Cord
 Display Port Cable
 SDI Cable
 HDMI Cable
 USB Cable for Cable
 Remote Controller

Optional Accessory RS232 Cable (Optional)**Power**

Power Rating 24V DC in

Control

Button 5 Keys: -, +, Power, Esc, Enter

DIMENSIONS UNIT:MM**Winmate W32L100-PTA1 32" SDI Multi-Touch Color Surgical Display****NOTE**

1. This is a simplified drawing and some components are not marked in detail.
2. The product shown in this datasheet is a standard model. For diagrams that contain customized or optional I/O, please contact the Winmate Sales Team for more information.
3. All specifications are subject to change without prior notice.