



MERISC-600 SUMMARY



MERISC

MERISC is not only a circuit board. It is a complete concept with integrated hardware, containing all that is needed for an intelligent graphic user interface solution. With this concept Martinsson provides the required software, competence and development resources, to design a complete interface for your product.

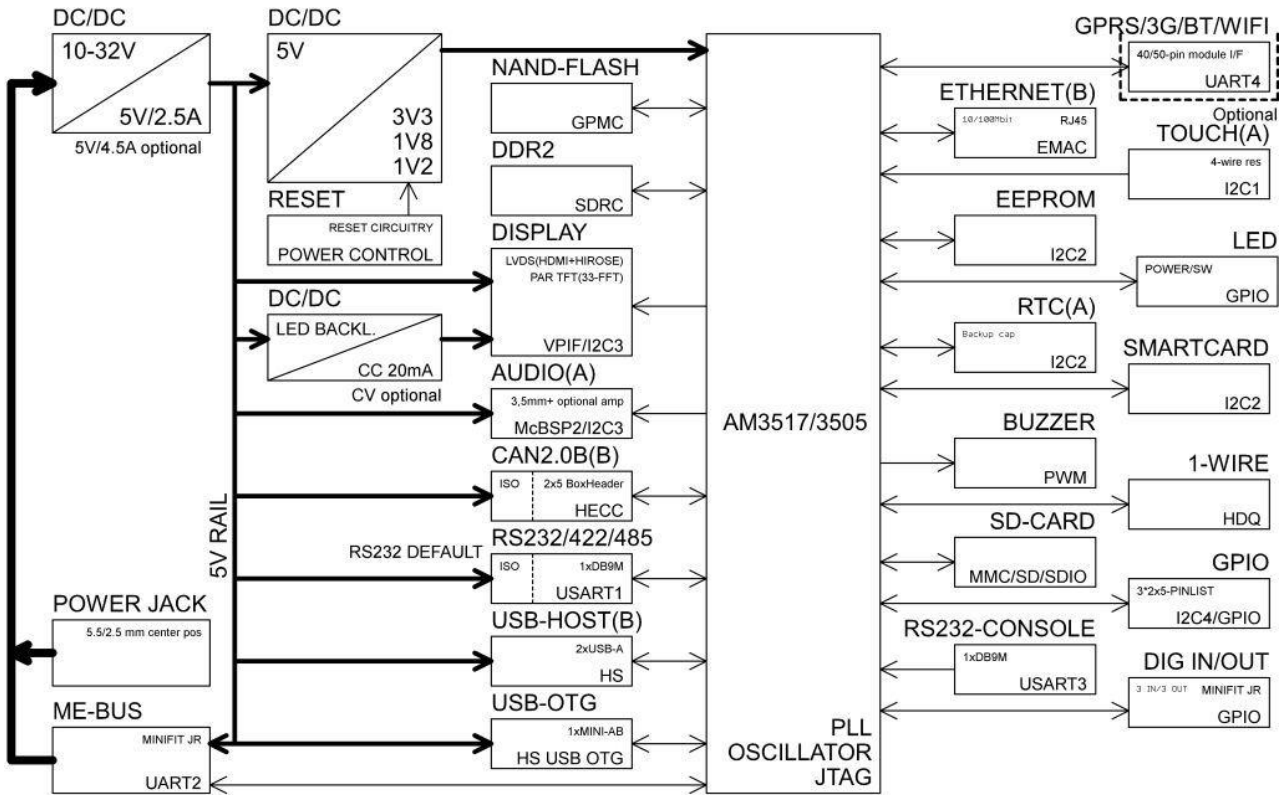


Highlights

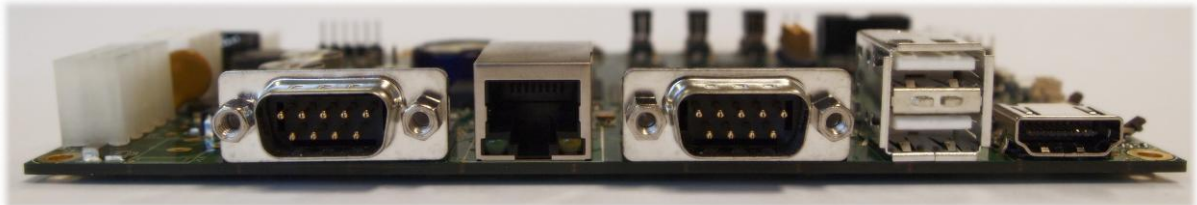
- Complete User Interface
- High Level Of System Integration
- Long Availability
- Industrial
- Customizable
- Very Low Power Consumption
- Cost Effective

Product name	MERISC-600
CPU	AM3517 (Texas Instruments) ARM Cortex-A8 @ 500 MHz PowerVR SGX Graphics Accelerator
Memories	Up to 512 MB DDR2 SDRAM On-board Flash (up to 64GB available) SD-card
Display support	5.7" QVGA to 19" SXGA TFT HDMI
Peripherals	TIA-232-F/TIA-422-B/TIA-485-A (Isolation available) Dual USB 2.0 Host Single USB OTG Ethernet 10/100 BaseT Audio (Line level or speaker output) 3-week RTC backup 1-wire interface High-End CAN 2.0B (Isolation available) 4-wire Touchscreen
Module support	GPRS 3G WiFi Bluetooth
Operating System	Linux (Currently 2.6.30 kernel)
Form Factor	100x160 mm PCB size
Operating Temperature	TBD
Power	10-32VDC Single Supply
Compliance	CE/FCC/RoHS

Block Diagram

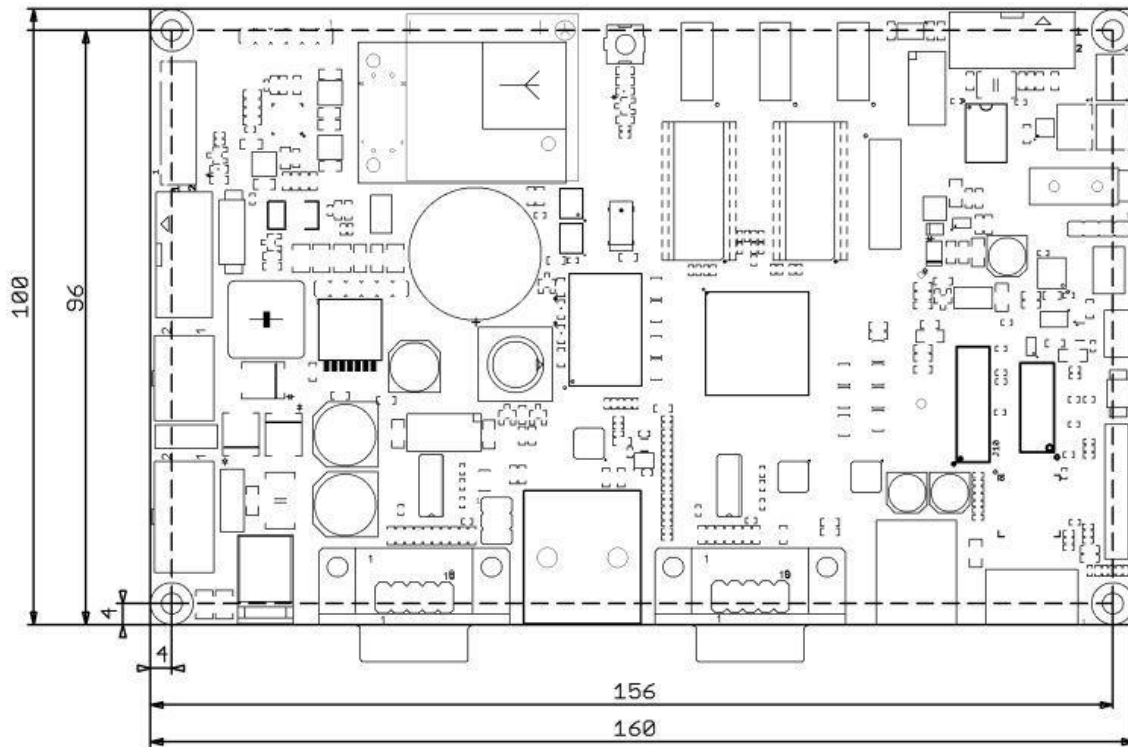


Connector I/O



From left to right: Power, RS232/RS422/RS485, Ethernet 10/100Base-T, RS232 (Console), Dual USB 2.0 Host and HDMI.

Dimensions



Ordering information

Product Name	MERISC-600-DEMOKIT-7LED
Included	Kit with Power Supply, 7.5" display and all necessary cabling.